

FE-2010



■ Features

The FE-2010 patient chair is a simple designed seat that offers stability and comfort to patients. It is available for all NIDEK units. It can be used as an independent seat and operated with foot switch.

The FE-2010 chair is provided with fix backrest. The raising of the FE-2010 chair is electrically-operated.

■ Standards colours

- Red
- Blue
- Grey
- Black

■ Options

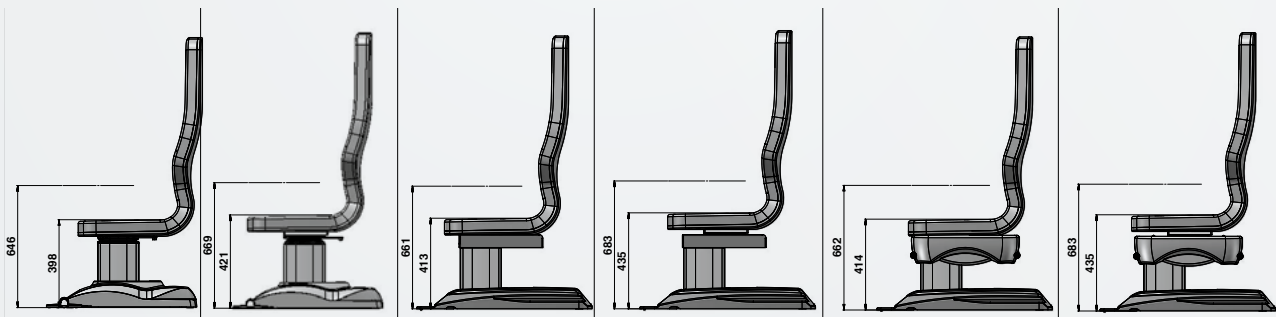
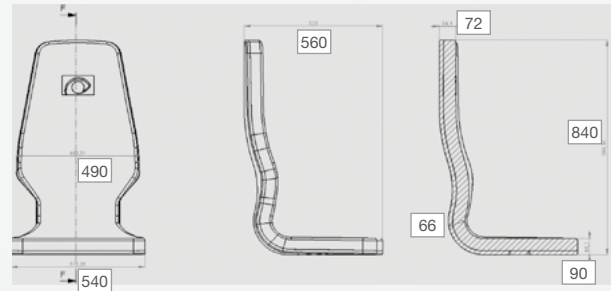
- 360° Rotating system
- Electrical or manual back and forth adjustment
- Tubular foot rest
- Removable system for patient chair
- Customisable colours
- Weight: 8 kg seat only



■ Technical Features

Dimensions of the seat : seat heights according to options

- Serrated forth and back
- Serrated forth and back + rotation
- Manual or electrical forth and back + rotation
- Manual or electrical forth and back



Indication: class I Medical Device / CE. The patient chair FE is used to perform an ophthalmological examination. This device prevents the doctor and the patient from having to move, by adapting the position of ophthalmology instruments to them, whatever the adaptation is manual or powered.

Good use information: medical device designed to health professionals. Both safety instructions and using procedures should be perfectly understood prior to operating this device.

Please thoroughly read the instructions stated in the user's manual. Device manufactured by NIDEK SA. Last update : september 2021.



NIDEK SA
Siège social
Écoparc
9, rue Benjamin Franklin
94370 Sucy-en-Brie - France
Tél. : +33 (0)1 49 80 97 97
Mail : site@nidek.fr
Web : www.nidek.fr

NIDEK SA
Site de conception et de montage
des unités de consultation
Multiparc de Parilly
50, rue Jean Zay
69800 Saint-Priest - France